



BIRCH HOUSE LANE,
COTES, SWYNNERTON,
STAFFORDSHIRE. ST15 0QQ.

ENGLAND

TEL: +44 (0)1782 791755 FAX: +44 (0)1782 791617



Birch House Lane, Cotes Heath, Staffs. ST15 0QQ. Tel: 01782 791755 Fax: 01782 791617
PLEASE READ ALL INSTRUCTIONS BEFORE USING YOUR RIFLE
IT CONTAINS IMPORTANT SAFETY & MAINTENANCE INFORMATION
FOR THE HUNTSMAN Mk II & HARRIER PH6 MODEL

LOADING AND COCKING

Operate Safety catch (C) safe when "S" mark is depressed.

Turn the breech bolt (A) anti clockwise 90 degrees and pull back approx. 25mm (1 inch) this unlocks the magazine so that loading is possible. The bolt will hold back on it's own without the need of any assistance.

Loading the magazine is done by pushing the loading gate situated on the right side of the breech in, this will allow a pellet to be fed into the rotary chamber, once a pellet has been installed into the magazine, you need to rotate manually anti-clockwise the chamber to allow the second pellet to be loaded, this process is repeated a further four times always making sure the barrel is pointing down for safety.

Once the magazine is fully loaded the gun can then be cocked, this is done by pulling the breech bolt further back until you hear a click. The bolt will slide easily when the rifle is cocked. Depress safety tab on left hand side the gun is ready to fire. To fire the remaining five pellets you simply twist the bolt through 90 degrees then pull the breech bolt all the way back until you hear the click of the trigger system engaging. Once the gun is cocked the bolt needs to be returned and locked in the forward position.

CHARGING THE HUNTSMAN Mk II & HARRIER MODEL

Remove dust cap from front of reservoir (optional extra).

Connect female Snap-On connector onto male, **making sure the sleeve is fully forward and connection is secure. If not secure the connector will disengage from the gun under pressure which could result in personal injury.**

WARNING: DO NOT PRESSURISE FEMALE SNAP ON UNLESS IT IS CONNECTED TO GUN.

Check bleed screw on the gauge unit is closed and open valve on bottle slowly , pressure will now start to fill the gun reservoir.

Fill to recommended pressure and then close valve on bottle.

Open bleed valve on gauge block and bleed air out of filler hose.

When you are sure system is empty remove Snap-On connector and replace dust cap (dust cap optional extra).

The gun is now fully charged and ready for use.

Always leave air pressure in your rifle , this keeps valves properly seated and prevents internal deterioration .

General Maintenance Due to the special finish on the Harrier it is essential that you keep the external surfaces oiled with a good quality gun oil to ensure this finish is maintained.

Important Notice.. Whilst every care and attention has been taken to ensure only the best products have been used to manufacture your new gun we must ask you not to exceed the recommendations for the gun. *The pressure chamber must always be kept in good order, should damage occur to this part, i.e. Denting, Rusting, Exposure to extreme heat or cold or any other apparent blemish we ask you to return the gun for inspection and pressure testing.*

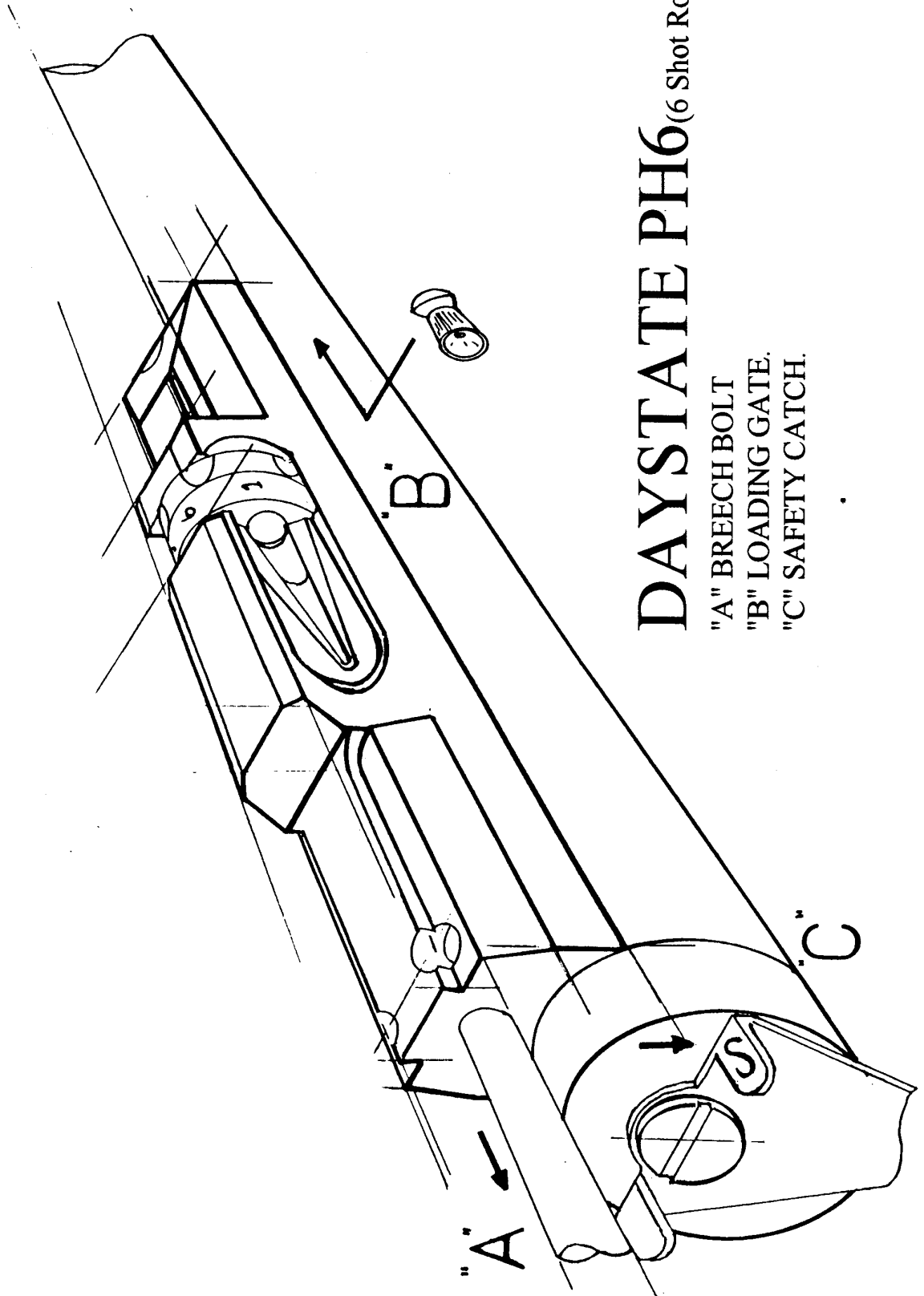
Regular maintenance of any mechanical equipment ensures longer trouble-free life therefore routine inspection and service will help to give you accurate and consistent shooting.

The recommended fill pressure must not be exceeded and care should be taken when filling to ensure all connections are tight and do not leak.

WARNING!!!!

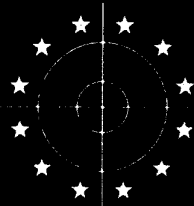
Compressed air and oil are a highly combustible mixture. You must not under any circumstances put oil or spray oil anywhere near the inlet valve of your gun . You must never use oxygen in any pre-charged gun.

HUNTSMAN Mk II SERIAL NO:..... FILL PRESSURE:.....
HARRIER SERIAL NO:..... FILL PRESSURE:.....



DAYSTATE PH6 (6 Shot Rotary Magazine)

- "A" BREECH BOLT
- "B" LOADING GATE.
- "C" SAFETY CATCH.



DAYSTATE LTD.

Small Arms Manufacturers

Birch House Lane, Cotes Heath, Staffs. ST15 0QQ. Tel: 01782 791755 Fax: 01782 791617

Maintenance & Service of DAYSTATE Products

STOCKS

WALNUT: This stock is finished with stock conditioning oil with approximately 3 to 4 coats applied to give a hard durable finish. Any further oiling should be done with a stock wax with a petroleum base.

With walnut having an oiled finish there is no requirements to strip the entire stock to repair the affected area. Just sand or wire wool the damaged area, then reseal with any stock oil or wax.

BEECH: All beech stocks are finished in an acid hardener lacquer. This finish gives the stock a darker look in appearance.

Please note: If the lacquer was to be removed the light beech wood will show through as being a very white wood. All marks such as scratches or dents can be removed the same as the walnut stock but to create the same finish the whole of the stock will require stripping and refinishing.

OUTSIDE THE ACTION.

All DAYSTATE products are chemically blued or anodised to give a deep lasting finish or a Matte anti-glare finish.

Which ever product is bought, care is required to keep your DAYSTATE in tip top condition so we recommend that any silicone or synthetic based product to be applied to a cloth then applied to the outside of your gun making sure you cover the entire area with an even amount to protect the metal parts.

Lubrication of the breech bolt should be of a light grease making sure that it does not enter into the pellet trough which in turn could enter up the barrel causing accuracy problems and power fluctuations.

WARNING

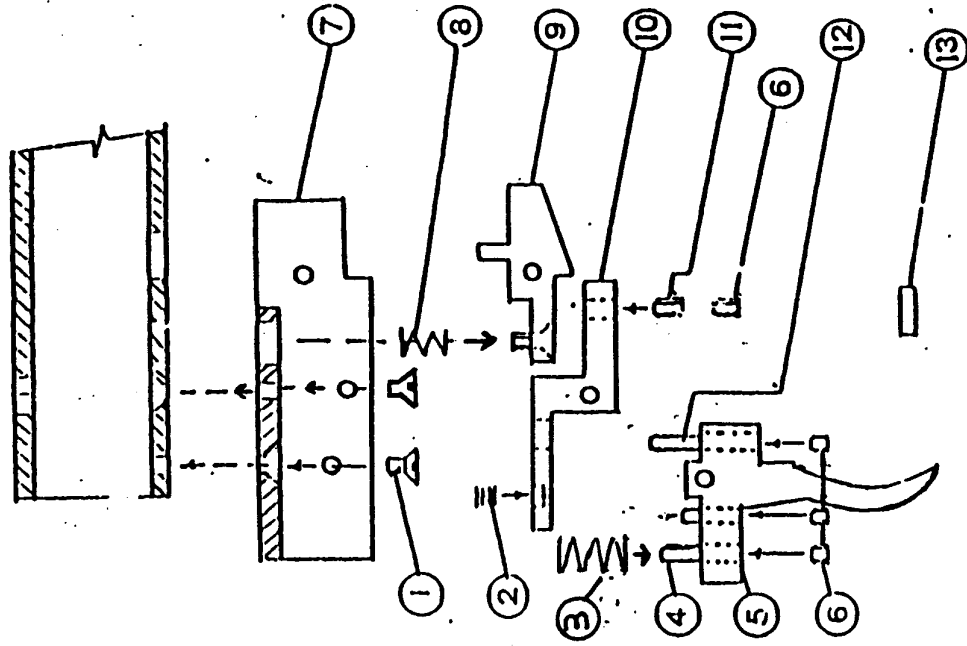
Do not put oil or grease around the inlet valve system or the quick fit unit. This may cause problems with seals if contact occurs.

Do not lubricate any internal moving parts such as the striker or the trigger mechanism unless its with a Lubro-Teknik product recommended by ourselves.

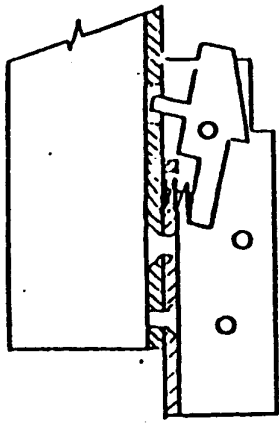
PELLET RECOMMENDATIONS

| | |
|---------------------------------|----------------------------------------------------------------------|
| <i>up to 12ft lbs</i> | Bisley Magnums, Barracuda, Superdome, Field Target Trophy, Crosmans. |
| <i>up to 25ft lbs</i> | Bisley Magnums, Barracuda, Superdome, Field Target Trophy, Crosmans. |
| <i>up to 42ft lbs</i> | Bisley Magnums, Barracuda. |
| <i>50ft lbs and over</i> | Eley Magnums. |

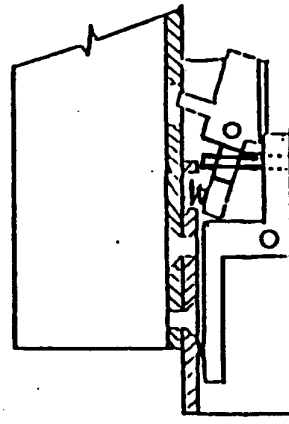
All technical information can be acquired by phoning DAYSTATE on the above telephone number.



| No | Description | Qty | No | Description | Qty |
|----|-----------------------|-----|----|------------------------|-----|
| 1 | Trigger Block Fixings | 2 | 8 | Trigger Sear Spring | 1 |
| 2 | Trigger Lever Spring | 1 | 9 | Trigger Sear | 1 |
| 3 | Trigger Spring | 1 | 10 | Trigger Lever | 1 |
| 4 | Trigger Travel Screw | 1 | 11 | Trigger Lever Adjuster | 1 |
| 5 | Trigger | 1 | 12 | Trigger Angle Adjuster | 1 |
| 6 | Locking Set Screw | 4 | 13 | Dowel | 3 |
| 7 | Trigger Block | 1 | | | |

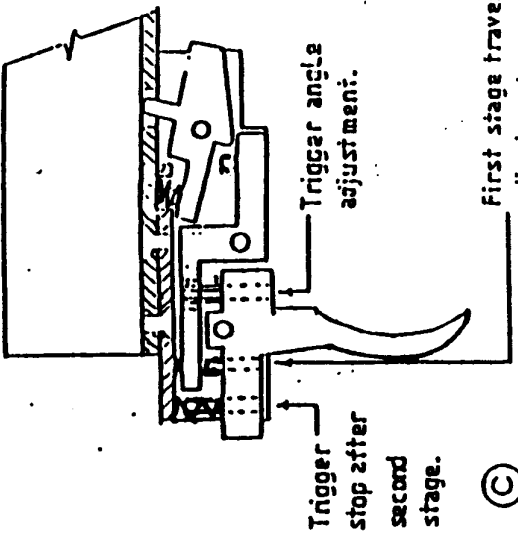


(A)



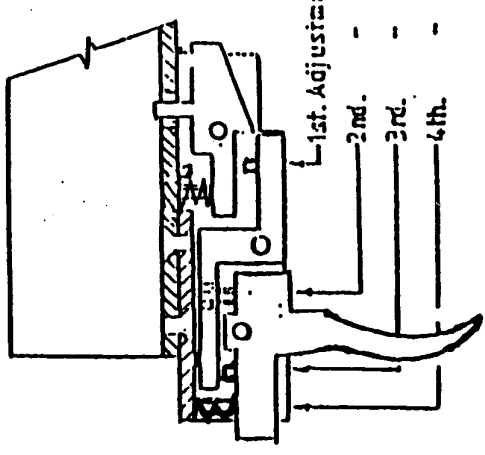
Second pull weight adjustment.
Screw in to lighten.

(B)



Trigger stop after second stage.
Trigger angle adjustment.
First stage travel adjustment.

(C)



1st. Adjustment.
2nd.
3rd.
4th.

(D)

The Copyright of this drawing is the property of DAYSTATE LTD. This drawing is issued on the condition that it is not copied, reproduced or disclosed to a third party without permission.

DAYSTATE



DAYSTATE LTD.

Small Arms Manufacturers

Birch House Lane, Cotes, Staffs. ST15 0QQ. Tel: 01782 791755 Fax: 01782 791617

Email: daystate.ltd@virgin.net

Web: <http://www.daystate.co.uk>

DAYSTATE TRIGGER ADJUSTMENT INSTRUCTIONS

The diagram shows to the left an exploded view of the trigger components, then four boxes from A to D showing the assembly stages for the trigger mechanism.

Once assembled, the trigger can be adjusted to suit almost everybody's taste. See below for the necessary adjustments:-

SEE DIAGRAM "D" FOR THE ADJUSTMENT NUMBERS.

1st ADJUSTMENT This screw adjustment gives you the second stage weight setting, example if you want an increased weight setting the screw needs to be turned anti-clockwise, if you want a lighter setting you turn the screw clockwise. **PLEASE NOTE** if the screw is turned clockwise too much the trigger sear will not engage so your gun will not cock.

2nd ADJUSTMENT This screw adjustment is for setting the angle at which the trigger blade sits in your trigger block, factory setting is approximately 90° degrees to the trigger block. If you adjust this screw you will also need to adjust the 3rd and 4th adjustment screws to give you the necessary feel.

3rd ADJUSTMENT This screw adjustment gives you this first stage travel, anti-clockwise will increase travel and clockwise will reduce the travel.

4th ADJUSTMENT This screw adjustment is for the after travel of the trigger blade once the trigger mechanism has fired. The trigger stop is factory set to have a minimal amount of after travel once the gun has fired, if you require less travel turn the stop screw clockwise (**PLEASE NOTE**: If the stop screw is turned clockwise too much the trigger will not fire).

Anti-clockwise will give you more after travel once the gun has been fired.

PLEASE NOTE: ALL TRIGGER ADJUSTMENT SCREWS HAVE A LOCKING SCREW. THE LOCKING SCREW NEEDS TO BE REMOVED BEFORE YOU CAN MAKE THE NECESSARY ADJUSTMENT.

ADJUSTMENT TOOLS.

x1 Allen Key 1.5mm.